

# Macurco™

BUILDING & HOME SOLUTIONS



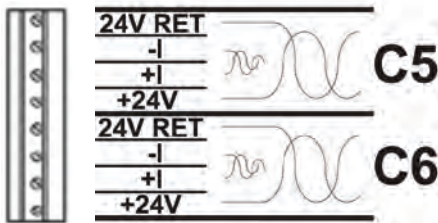
Whether you are looking for gas detection for a security system, building automation or HVAC system, for personal safety or for monitoring specific gases in potentially hazardous environments, Macurco has a gas detector to meet your needs.

## Macurco Commercial Sensor Wiring Guide

### DVP-120 Analog Control Panel

**Power & Signal Wire:** Macurco recommends 18 gauge 4 conductor shielded (shielded not necessary)

- 24VDC Power (-)
- 4-20mA Input (-)
- 4-20mA Input (+)
- 24VDC Power (+)
- 24VDC Power (-)
- 4-20mA Input (-)
- 4-20mA Input (+)
- 24VDC Power (+)



Wire Gauge	Maximum Run Length	
18	500 ft.	152 m.
16	800 ft.	244 m.
14	1250 ft.	381 m.

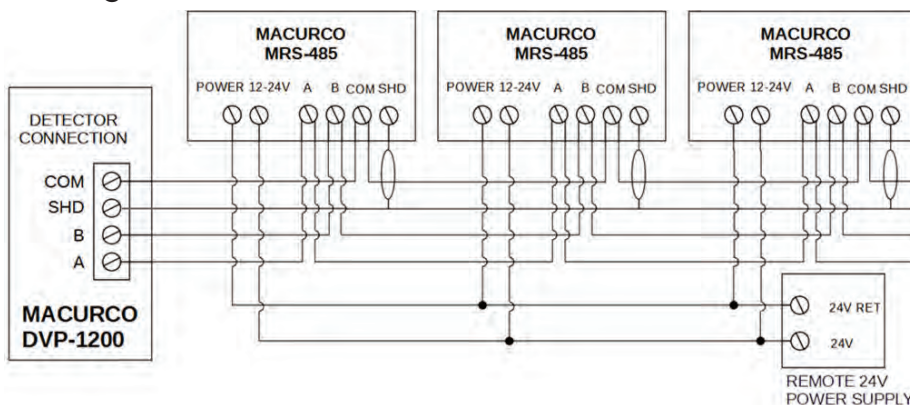


6-Series Rear View

### DVP-120M, DVP-120B, DVP-120C, DVP-1200 Control Panels

**Power Wire:** 18 Gauge 2 Conductor

**Signal Wire:** For best performance use shielded 3-conductor wire with one twisted pair providing a pair for signal (A & B), common (COM) and shield ground



Installed MRS-485 View

MFG.	Model
Genesis	3323,3324,3328
Belden	3106A, 5541FE