

# Macurco™ Horn and Strobe

# MACURCO

GAS DETECTION



## Horn and Strobe Series

### Macurco Horn and Strobe Series

The Macurco Horn and Strobe series is designed for spaces where distinctive visual or audible signal is required. These devices use low current to provide a high decibel output, and can be easily seen and heard from afar. The Horn and Strobe works well with Macurco products including the DVP-120, DVP-120M control panels and the Macurco 6 & 12 Series detectors. This notification device can be flush or surface mounted on a double gang box.

### Features and Specifications

- Flexible optic design to meet or exceed the light output on vertical/horizontal dispersion
- Strobe Candela: Adjustable at 15, 30, 75 or 110cd \*Based on test result with clear lens cover
- Adjustable two audible tone settings: Continuous (high/low) / Temporal 4 (high/low)
- Size: 5 1/2 x 4 3/4 x 2 in. (14 x 12 x 5 cm)
- 20ms pulse duration
- Low Current Draw
- High power cool white LED is used
- Strobe flash rate: 1 flash per second
- Nominal Voltage: Regulated 24VDC
- Operating Voltage: 16 to 33 VDC
- Operating Environment: 32°F to 120°F (0°C to 49°C). 10 to 93% RH
- Works with Macurco DVP-120 & DVP-120M control panels
- Works with Macurco 6 & 12 Series detectors



# Horn and Strobe Specifications

Current Draw (A)					
Strobe Candela Settings (cd)					
Current	Sound Pattern	16-33 Volts			
		15	30	75	110
DC	High Continuous	0.087	0.094	0.122	0.133
	High Temporal 4	0.080	0.083	0.108	0.126
	Low Continuous	0.074	0.080	0.110	0.125
	Low Temporal 4	0.075	0.080	0.106	0.124
FWR	High Continuous	0.115	0.137	0.165	0.186
	High Temporal 4	0.113	0.122	0.154	0.179
	Low Continuous	0.113	0.117	0.160	0.175
	Low Temporal 4	0.094	0.117	0.132	0.160

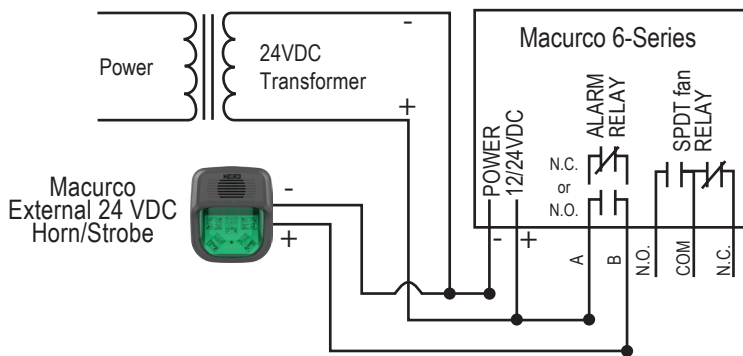
  

Sound Output (dBA)					
Reverberant dBA Per UL 464			Anechoic dBA		
Pattern	Volume	Horn Strobe (16-33Volts)	Pattern	Volume	Horn Strobe (16-33Volts)
Continuous	High	91.4	Continuous	High	92.0
	Low	86.6		Low	87.7
Temporal 4	High	87.5	Temporal 4	High	92.0
	Low	82.2		Low	87.2

\*\*Macurco reserves the right to change any specifications without notice.

\*\*Refer to local codes for appropriate mounting heights

\*Sync module sold separately. External relay provided by 3rd party.



TYPICAL CONNECTION TO MACURCO 6-SERIES DETECTOR

TYPICAL CONNECTION TO MACURCO DVP-120 CONTROL PANEL

