



Macurco™ Combustible Gas Detector GD-2B



For use with alarm control panels

Methane and Propane Gas Detection

The GD-2B is a low voltage electronic detector of combustible, heating type gases. The GD-2B is designed for connection to Fire Alarm/Burglary Control Panels. The GD-2B is intended for installation in buildings in non-hazardous locations such as residences, retail stores, office buildings, and institutional buildings. This combustible gas detector has been designed to detect methane (natural gas) and propane (LP) gas. It is NOT designed to detect smoke, fire or carbon monoxide.

Features

- Designed to meet UL standard 2075 for the Standard For Safety for Gas and Vapor Detector and Sensors
- Sensitivity tested based on UL 1484 Standard for Residential Gas Detectors
- Surface mounts to a wall using the supplied enclosure rear housing
- Flush mounts in a 2 x 4 (1-3/4 inch deep minimum) single gang switch, or handy electrical box
- Small, low profile, attractive unit in a white plastic case
- Can be self-restoring or latching
- Test & Reset switch conducts internal tests and actuates alarm relay
- Solid State Electronic sensors: no maintenance or recalibration
- N.O. or N.C. SPST Alarm Relay and N.C. SPST Trouble relay to connect to Alarm Control Panels
- Optional Buzzer: Produces repeating loud tone bursts during alarm, and chirps if sensor trouble is found



GD-2B Specifications

- Size: 3-1/8 X 5-1/8 X 1-3/4 inch (7.94 x 13.02 x 4.45 cm)
- Alarm Relay: SPST, 100mA, 40VDC
- Trouble Relay: SPST, 100mA, 40VDC
- Buzzer Rating: 85 dBA at 10 Feet
- Shipping Weight: 0.54 pound
- Operating Temp. Range: 40°F (4.4°C) to 100°F (37.8°C)
- Alarm Setting: 25% LEL Per UL 1484
- For use with a UL Listed Fire Alarm/Burglary Control Panel
- Sensor Maintenance: not required
- Voltage: 9-32 VDC 12-24 VAC
- Current Max (non-alarm): 53 mA @ 9 VDC, 15 mA @ 32 VDC, 64 mA @ 12 VAC, 40 mA @ 24 VAC
- Current Max (in alarm): 79 mA @ 9 VDC, 21 mA @ 32 VDC, 83 mA @ 12 VAC, 52 mA @ 24 VAC



Installation

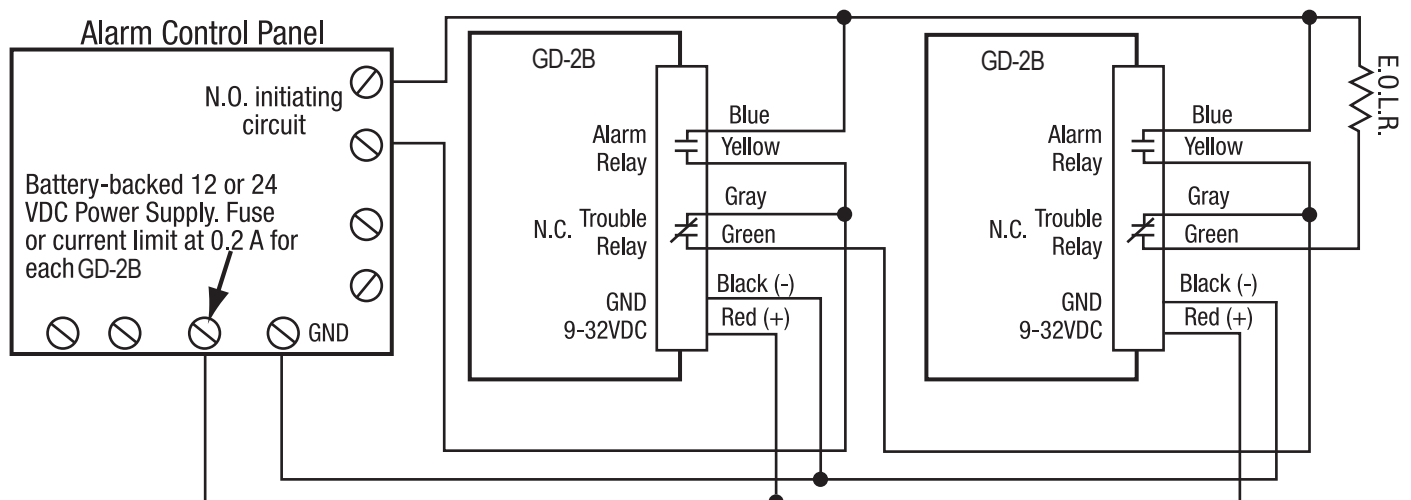
With the GD-2B faceplate mounted on the enclosure's rear-housing the unit can be surface mounted on a wall. A thin mid-plate enclosure component is also supplied with the GD-2B to mount the GD-2B on a 2 x 4 inch (5.08cm x 10.16 cm) switch box - single-gang or "handy", provided by the installer.

Location

A GD-2B is usually located in each room (except kitchens or bathrooms) where there are gas appliances or through which gas pipes pass. Do NOT mount the GD-2B in a corner. Do NOT mount the GD-2B in kitchens or bathrooms - alcohol's, ammonia, cleaning solvents, paint thinner, gasoline vapors, and aerosol propellants (aerosol cans such as hair spray usually contain a combustible gas) may cause alarms. Do NOT mount the GD-2B where the normal ambient temperature is below 32° F (0° C) or exceeds 120° F (50° C). If the gas used is natural gas (methane) mount the GD-2B on a wall about one foot down from the ceiling. If the gas used is propane (LP), mount the GD-2B on a wall or column one foot above the floor. Use the same spacing as for smoke detectors 30-foot centers, 900 square feet per detector.

TYPICAL CONNECTION OF TWO GD-2B TO AN ALARM CONTROL PANEL

TYPICAL COVERAGE 900 SQUARE FEET



Made in the U.S.A. with US and imported materials

© Aerionics 2014. All rights reserved.
Macurco is a trademark of Aerionics, Inc.

MACURCO
Gas Detection Experts